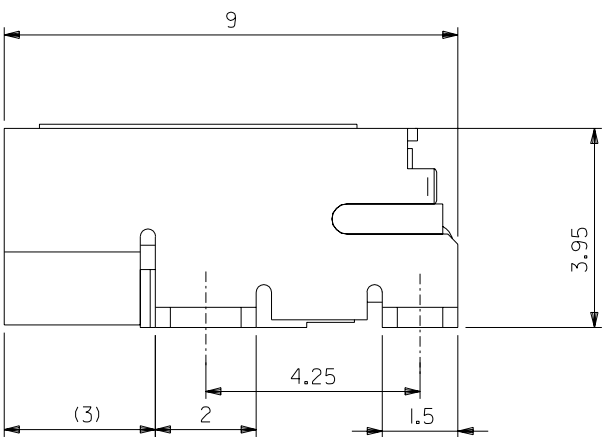
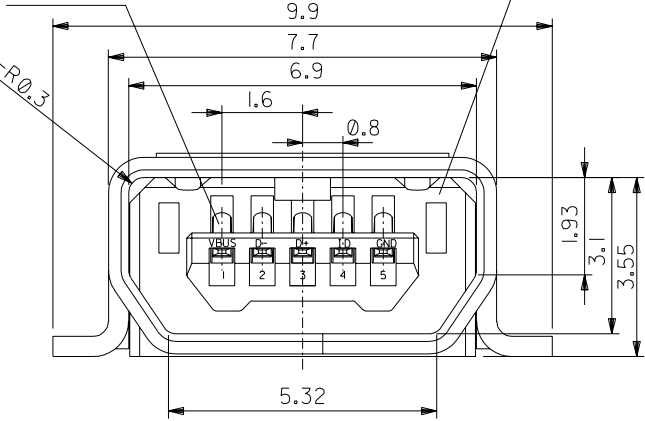
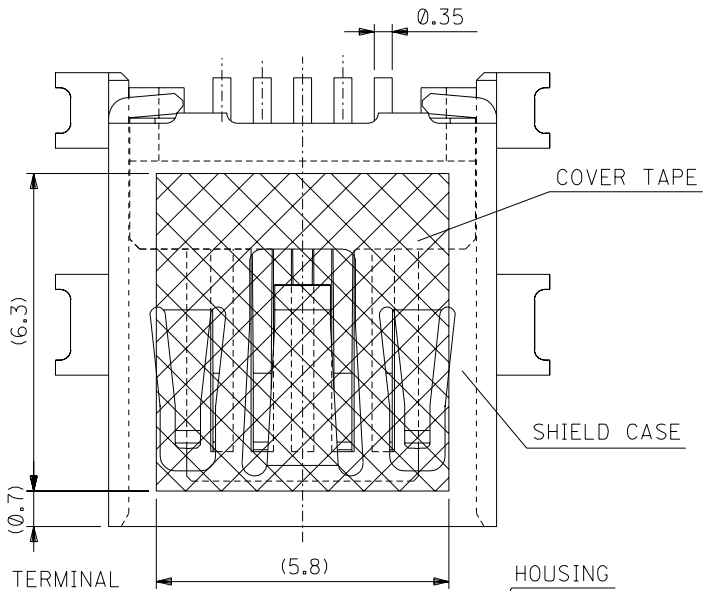
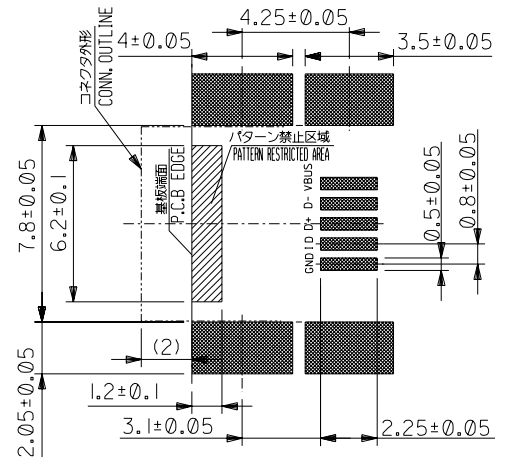


DWG. NO. SD-56579-015



注記 1. 材質
 NOTES MATERIAL
 ハウジング:ポリフタルアミド、ガラス充填、灰色、UL94V-0
 HOUSING:POLYPHTHAL AMIDE GLASS FILLED,GRAY,UL94V-0
 ターミナル:銅合金 (t=0.2)
 TERMINAL:COPPER ALLOY(t=0.2)
 シールド ケース:銅合金 (t=0.4)
 SHIELD CASE:COPPER ALLOY(t=0.4)
 カバー テープ:ポリイミド (t=0.08)
 COVER TAPE:POLYIMIDE (t=0.08)

2. メッキ仕様
 PLATING
 ターミナル
 TERMINAL
 接点部:金メッキ 0.76μm MIN.
 CONTACT AREA:GOLD 0.76MICRO METER MINIMUM.
 半田付け部:錫メッキ 1.0μm MIN.
 SOLDER TAIL AREA:TIN 1.0MICRO METER MINIMUM.
 下地部:ニッケルメッキ 4.0μm MIN.
 UNDER PLATING:NICKEL 4.0MICRO METER MINIMUM.
 シールド ケース
 SHIELD CASE
 :錫メッキ 1.0μm MIN.
 :TIN 1.0 MICRO METER MINIMUM.
 下地部:ニッケルメッキ 4.0μm MIN.
 UNDER PLATING:NICKEL 4.0 MICRO METER MINIMUM.
 3. テール、ネール平坦度は0.1mm MAX.
 TAIL,NAIL COPLANARITY 0.1mm MAX.
 4. 本製品は56579-0571の鉛フリー品である。
 THIS PRODUCT IS LEAD FREE OF 56579-0571.



推奨基板寸法 (部品実装側)
 RECOMMENDED P.C.B. PATTERN LAYOUT (PART MOUNT SIDE)

DO NOT SCALE DRAWING

図番 NO. DRAWING NO. CH'K' 確認者 APPR' 承認者	図番 NO. DRAWING NO. CH'K' 確認者 APPR' 承認者	図番 NO. DRAWING NO. CH'K' 確認者 APPR' 承認者	図番 NO. DRAWING NO. CH'K' 確認者 APPR' 承認者	図番 NO. DRAWING NO. CH'K' 確認者 APPR' 承認者	図番 NO. J2004-4266 DRAWING NO. NAGATA '04/05/17 CH'K' K.TOJO '04/05/17 APPR' M.SASAO '04/05/17	MATERIAL 材料 SEE NOTES	GENERAL TOLERANCES: (UNLESS SPECIFIED) 一般公差 10 UNDER 未満 ±0.2 10 OVER 以上 30 UNDER 未満 ±0.25 30 OVER 以上 ±0.3	SCALE 10:1 DESIGN UNITS 設計単位 <input checked="" type="checkbox"/> mm <input type="checkbox"/> INCH	MODEL NO. 56579-0579 DIMENSIONS: 寸法 <input type="checkbox"/> mm <input type="checkbox"/> INCH <input checked="" type="checkbox"/> mm ONLY	SHT 1 OF 2 REV 1 OF 2	MATERIAL NO. 56579-0579	TITLE: USB SERIES MINI-AB REC. ASS'Y SMT -LEAD FREE-
REV 0						INS. RANGE 被覆外径 #	THIS DRAWING CONTAINS INFORMATION THAT IS PROPRIETARY TO MOLEX INCORPORATED AND SHOULD NOT BE USED WITHOUT WRITTEN PERMISSION.					

8

7

6

5

4

3

2

1

F

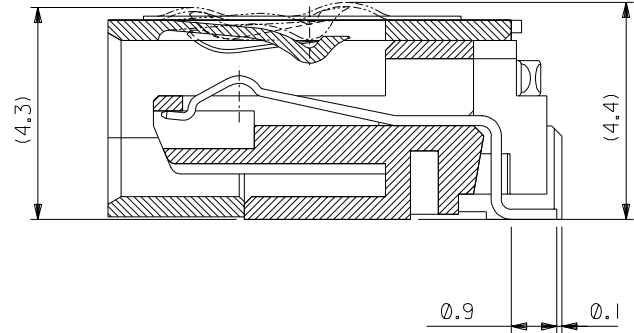
E

D

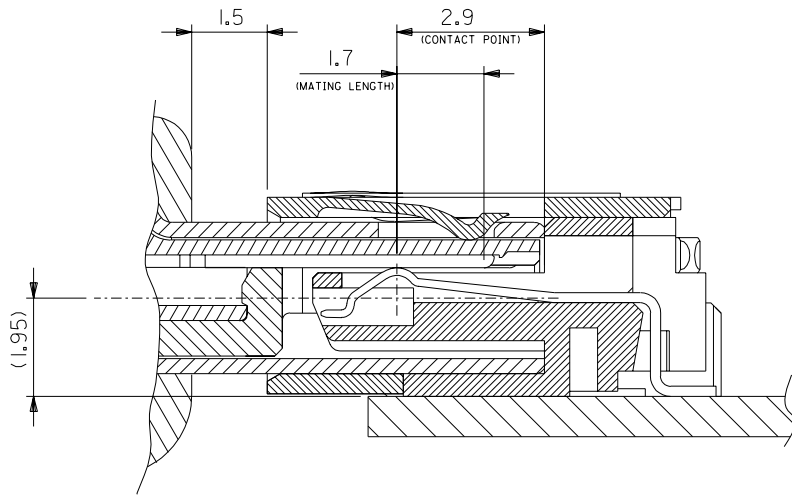
C

B

A



SECTION



MATING

DWG. NO. SD-56579-015 F D V C B		MODEL NO. 56579-0579 DIMENSIONS: <input type="checkbox"/> mm <input type="checkbox"/> INCH <input checked="" type="checkbox"/> mm ONLY SHT 2 OF 2 REV B	
DRAWN: CH'K: APPR: 63 NO. DRWN: CH'K: APPR: 62 NO. DRWN: CH'K: APPR: 61 NO. DRWN: CH'K: APPR: 60 NO. DRWN: CH'K: APPR: SEE SHEET 1		MATERIAL 材料 SEE NOTES FINISH 仕上り SEE NOTES WIRE RANGE 適用電線範囲 # INS. RANGE 被覆外径 #	
GENERAL TOLERANCES: (UNLESS SPECIFIED) 一般公差 10 UNDER 未満 ±0.2 10 OVER 30 UNDER 以上 未満 ±0.25 30 OVER 以上 ±0.3 ANGLE 角度 ±3°		SCALE 10:1 DESIGN UNITS <input checked="" type="checkbox"/> mm <input type="checkbox"/> INCH DRAWN BY & DATE M.NAGATA '04/05/17 CHECKED BY & DATE K.TOJO '04/05/17 APPROVED BY & DATE M.SASAO '04/05/17 CAD FILENAME SD-56579-015.S02 TITLE: USB SERIES MINI-AB REC. ASS'Y SMT -LEAD FREE- MOLEX INCORPORATED MATERIAL NO. SEE CHART DRAWING NO. SD-56579-015 SHEET NO. 2 OF 2 THIS DRAWING CONTAINS INFORMATION THAT IS PROPRIETARY TO MOLEX INCORPORATED AND SHOULD NOT BE USED WITHOUT WRITTEN PERMISSION. SIZE B	

8

7

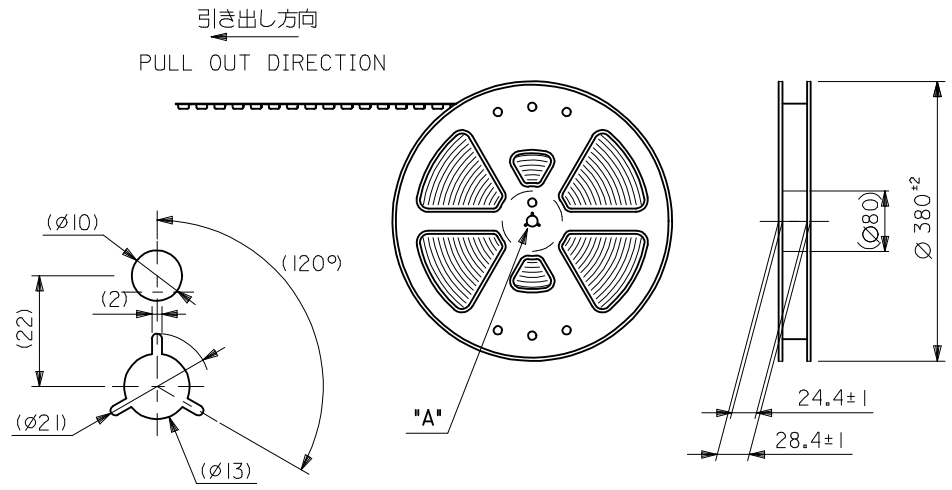
6

5

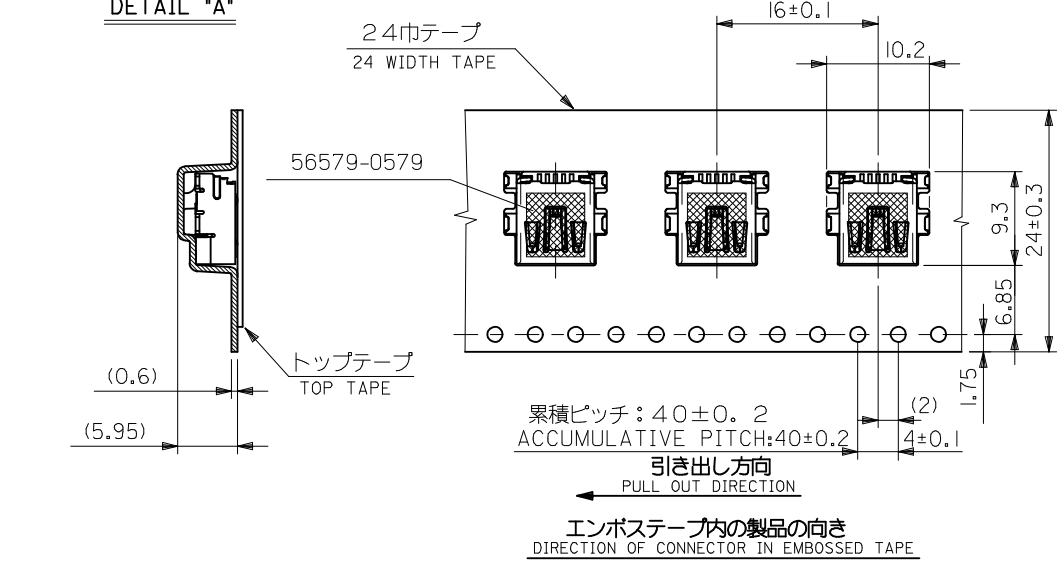
4

3

2



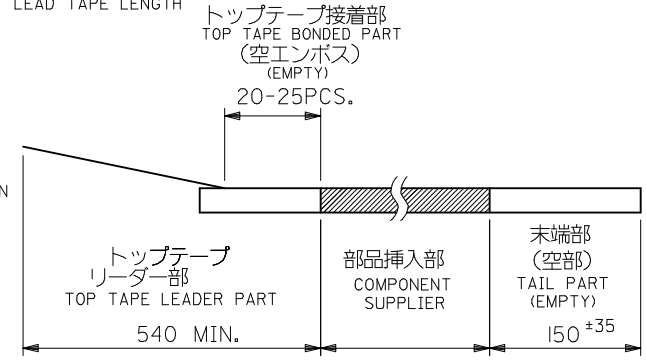
DETAIL "A"



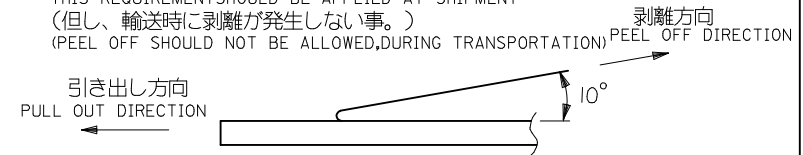
エンボステープ内の製品の向き
DIRECTION OF CONNECTOR IN EMBOSSED TAPE

NOTES

- 56579-0579の詳細はSD-56579-015参照
IN THE PACKAGE PART NO.56579-0579 DETAILED, SEE SD-56579-015.
- 梱包数量: 800 個/リール
NUMBER OF CONNECTORS: 800 PCS/REEL
- リードテープ長さ
LEAD TAPE LENGTH



- トップテープの剥離強度: 0.1~1.3N(10~130gf)
(剥離方向は下図参照) キャリアテープ幅: 24mm
PEEL-OFF FORCE OF TOP TAPE: 0.1~1.3N(10~130gf)
(PEELING DIRECTION AS SHOWN IN FOLLOWING FIG.)
CARRIER TAPE WIDTH: 24mm
尚、本規格値は、出荷時に適用。
THIS REQUIREMENT SHOULD BE APPLIED AT SHIPMENT
(但し、輸送時に剥離が発生しない事。)
(PEEL OFF SHOULD NOT BE ALLOWED, DURING TRANSPORTATION)



- 材料
MATERIAL
キャリアテープ: ポリプロピレン POLYSTYRENE(PS)
CARRIER TAPE: POLYPROPYLENE
トップテープ: ポリエステル, ポリエチレン
TOP TAPE: POLYESTER, POLYETHYLENE
リール: ポリスチレン <リサイクル材を含む>
REEL: POLYSTYRENE <RECYCLE MATERIAL CONTAINED>
- 本製品は56579-0578の鉛フリー品である。
THIS PRODUCT IS LEAD FREE OF 56579-0578.

56579-0576
MATERIAL No.

MODEL No.56579-0576

REVISED EC NO: J2009-1142 DRWN:MTAKAZONO 2008/11/14 CHKD:HMATSUMOTO 2008/11/14 APPR:NUKITA 2008/11/14 REV A	DESCRIPTION	GENERAL TOLERANCES (UNLESS SPECIFIED)		DIMENSION STYLE MM ONLY		SCALE 2:1	DESIGN UNITS METRIC	THIRD ANGLE PROJECTION		
		10 UNDER	±0.2	DRAWN BY MNAGATA	DATE 2004/05/17	TITLE USB SERIES MINI-AB (SMT)EMBOSSED ASS'Y -LEAD FREE-				
		10 OVER 30 UNDER	±0.25	CHECKED BY KTOJO	DATE 2004/05/17	MOLEX INCORPORATED				
		30 OVER	±0.3	APPROVED BY MSASAO	DATE 2004/05/17	DOCUMENT NO. SD-56579-016				
ANGULAR ±3 °		DRAFT WHERE APPLICABLE MUST REMAIN WITHIN DIMENSIONS		MATERIAL NO. SEE TABLE		SHEET NO. 1 OF 1				
THIS DRAWING CONTAINS INFORMATION THAT IS PROPRIETARY TO MOLEX INCORPORATED AND SHOULD NOT BE USED WITHOUT WRITTEN PERMISSION										